



T 306 H  
T 307 H



**AUSA Center, S.L.**  
Ctra. de Vic Km 2.8  
08243 Manresa  
BARCELONA (ESPAÑA)  
Tel.: +34 93 874 73 11  
E-mail: [ausa@ausa.com](mailto:ausa@ausa.com)  
[www.ausa.com](http://www.ausa.com)

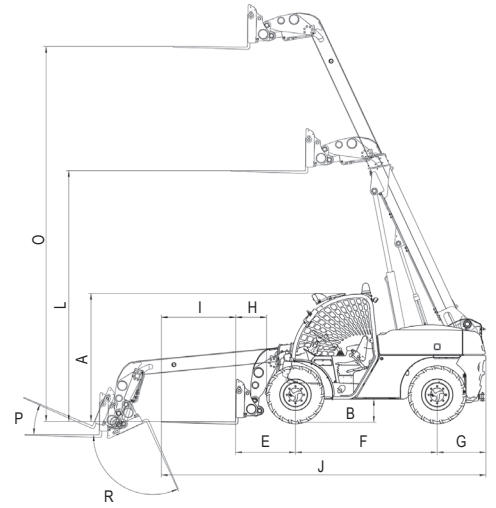
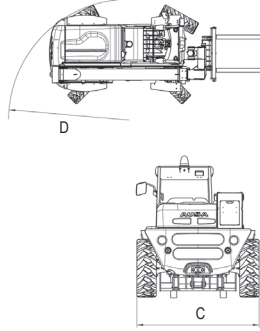
**AUSA Madrid** Pol. Ind. Coslada - C. Marconi 15-17, 28823 Coslada - MADRID (ESPAÑA) - Tel.: +34 91 669 00 06 - E-mail: [ausa.madrid@ausa.com](mailto:ausa.madrid@ausa.com)  
**AUSA France** Z.I. Saint Charles - Rue de Zürich, 66000 PERPIGNAN (FRANCE) - Tel.: +33 (0) 4 68 54 38 97 - E-mail: [ausa.france@ausa.com](mailto:ausa.france@ausa.com)  
**AUSA Deutschland** Tel.: +49 (0) 2384 9889905 - E-mail: [ausa.deutschland@ausa.com](mailto:ausa.deutschland@ausa.com)  
**AUSA UK** Tel.: +44 (0) 7970639988 - E-mail: [ausa.uk@ausa.com](mailto:ausa.uk@ausa.com)  
**AUSA Brasil** Avenida Belizario Ramos 2276 - Lages - SC, 88506-000 (BRASIL) - Tel.: +55 11 9 8786 6014 - E-mail: [ausa.brasil@ausa.com](mailto:ausa.brasil@ausa.com)  
**AUSAMéxico** Calzada Vallejo 725 Del. Gustavo A. Madero - 07750 México D.F. (MÉXICO) - Tel.: +52 (55) 21669276 - E-mail: [ausa.mexico@ausa.com](mailto:ausa.mexico@ausa.com)  
**AUSA U.S. CORP.** Tel.: +1 (917) 328 0770 - E-mail: [ausa.us@ausa.com](mailto:ausa.us@ausa.com)  
**AUSA Beijing Rep. Office** Room 403, Moma Building, N.199 - Chaoyang bei road, Chaoyang District - 100026 BEIJING (CHINA)  
Tel.: +86 10 8598 7386 - E-mail: [ausa.china@ausa.com](mailto:ausa.china@ausa.com)



# T 306 H T 307 H

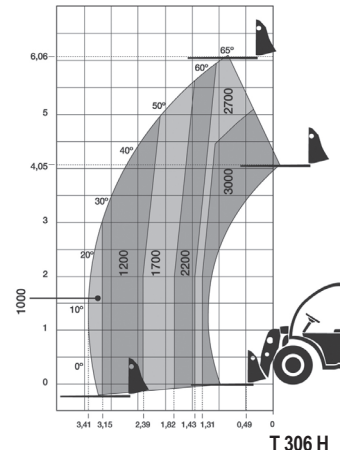
**AUSA**  
www.ausa.com

DIMENSIONS (mm)	T 306 H	T 307 H
A	2070	2070
B	275	275
C	2015	2015
D	3075	3075
E	968	1270
F	2290	2290
G	786	786
H	497	799
I	1200	1200
J	5244	5546
L	4054	4054
O	6060	7000
P	+20°	+20°
R	-115°	-115°

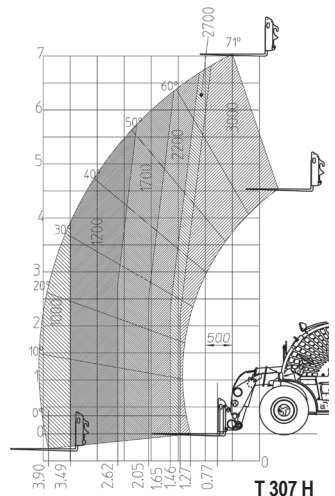


## TECHNICAL SPECIFICATIONS

	T 306 H	T 307 H	
Load capacity	Max. load (Kg)	3.000 @ 500 mm	3.000 @ 500 mm
	Load at max. height (Kg)	2.700 @ 500 mm	3.000 @ 500 mm
Lifting height	Maximum lifting height (mm)	6.060 @ 500 mm	7.000 @ 500 mm
	Lifting height at max. load (mm)	5.100 @ 500 mm	7.000 @ 500 mm
Reach	Max reach (mm)	3.410 mm	3.580 mm
	Capacity at max reach (Kg)	1.000 Kg	
Unload weight (Kg)	5.400 Kg	5.615 Kg	
Engine	Turbo-diesel	Kubota V 3600-T	
	Power/SAE J1995 (KW / HP)	62,3 / 84,7	
	Torque	270 Nm	
	Nº of cylinders	4	
	Cooling system	Water	
Traction	4x4x4 permanent		
Steering	Hydraulic		
	Front wheel steer / All wheel steer / Crab steer		
Transmission	Hydrostatic 2 gears	Hydrostatic 1 gear	
Engine starting system	Electric		
Speed (km/h)	24 Km/h		
Axles	Dana Spicer		
Gradeability	43%		39%
Hydraulic circuit	Working pressure	260 bar	
	Hydraulic pump	36 cc	
	Flow circuit (l/min)	73,4 l/min	
Tyres	Front	14 - 17,5	
	Rear	14 - 17,5	
External turning radius (mm)	3.075 mm		
Tank capacity	Fuel (l)	110 l	
	Hydraulic fluid (l)	70 l	
Service brake	Disc brake		
Parking brake	Mechanically actuated disk-brake		
STANDARD EQUIPMENT	Homologated FOPS/ROPS tilting cabin for easy service		
	Joystick with integrated functions, "total control of movements"		
	Adjustable ergonomic seat with safety belt		
	Rear view mirror		
	Audible reverse warning		
	Rotating beacon		
	Antivandalic system		
	Limited slip differential on front axle		
	4th auxiliary hydraulic service with quick coupling		
	Road Traffic Selector: Lock joystick and 2 front wheels steering		
	Active safety system with boom locking by instability/ Engine start lock with hand brake activated / Control arm lock without driver		
	Semi-closed cabin		
	Closed soundproof cabin with heater		
	Air conditioning integrated under the cabin		
	Radiostereo CD		
	Adjustable steering column		
	Front protective grille		
Load backrest			
Electronic anti theft protection system			
Homologated lighting equipment			
Working light			
5th auxiliary hydraulic service with quick coupling			
Hydraulic quick coupling system (Universal SLL type or Euro)			
4th auxiliary hydraulic service with continuous flow			
Other tyres pattern available			
FEM III forks carriage with or without integrated side-sift (TDL)			
Bucket 4 in 1			
Bucket 600 lt / Bucket 700 lt / Bucket 1.000 lt			
Multiple attachments available proven and tested from factory			



T 306 H



T 307 H

AUSA reserves the right to make any changes in the specifications without prior notice.